

## Reliable Operation

99%+ of drivers perform error-free for 10+ years

## High Volume

15 000+ drivers manufactured

## Exceptional Value

Exceptional value / cost ratio amongst top competitors

## Fast Customization

Sophisticated custom solutions in a short period of time

## In-House R&D

Custom design of electronics hardware & software

## Vast Experience

35+ years of laser electronics design & manufacturing

## Global Presence

Drivers operate in 60+ countries around the world

## Renowned Clients

World-leading manufacturers of industrial, medical and scientific lasers



**EKSPLA**  
ELECTRONICS

Advanced electronics  
technologies

# Laser Diode Drivers

1

# Pockels Cell Drivers

& HV Power Supplies

4

# Laser Synchronization Modules

& Pulse Delay Generators

7

# Nonlinear Crystal Ovens

9

2024

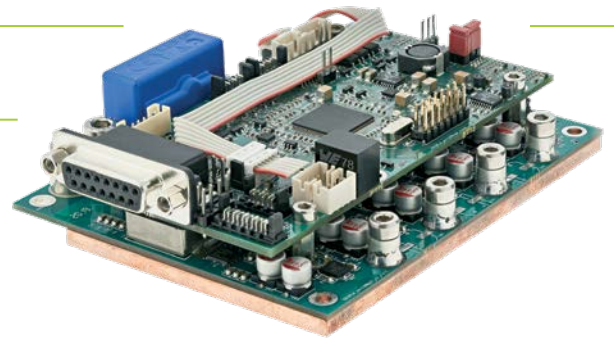
Rev#  
240908

# Laser Diode Drivers

**uniLDD**

Made By  
Laser Electronics Experts

uniLDD is the product line of laser diode drivers, also known as laser diode controllers, for pumping of diode pumped solid state lasers (DPSSL) as well as powering and beam modulation of direct diode lasers for vast variety of industrial, medical, scientific and military applications.



## Main specifications and compatibility with diodes:

Our uniLDD laser diode drivers can power wide range of diodes (single emitters, bars, stacks, VCSELs, LEDs) in pulsed (QCW) and continuous (CW) operation modes. Laser diode controllers can supply currents from 10 A to 1200 A while maintaining 0.1% pk-pk current stability. Compliance voltages of uniLDD laser diode drivers vary in 1 V – 600 V range.

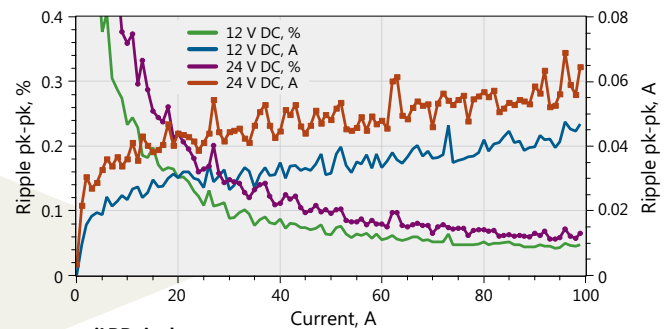
## Internal TEC controller option:

Additionally to powering of laser diodes our uniLDD drivers can simultaneous function as TEC controllers, also known as Peltier element temperature controllers. Each laser diode driver contains two output channels which can be utilized as two independent TEC controllers.

## uniLDD Main Features

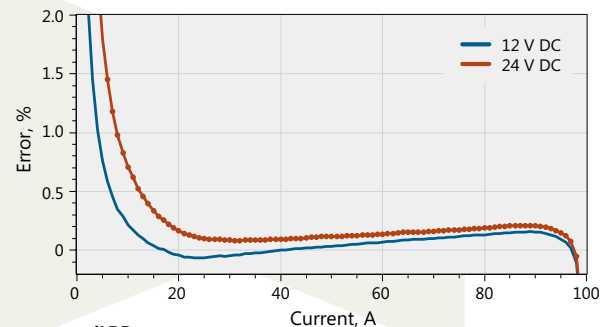
- Current stability: 0.1% pk to pk
- Current range: from 10 A to 1200 A
- Compliance voltage range: from 1 V to 600 V
- Internal TEC option: one driver can contain up to 2 independently controlled TEC channels
- Power density: up to 2.8 kW in 130×90×30 mm form factor
- Analog and digital (CAN\*, RS232) control interfaces

\* For CAN communication at evaluation stage Ekspla's CAN-USB adapter is required.



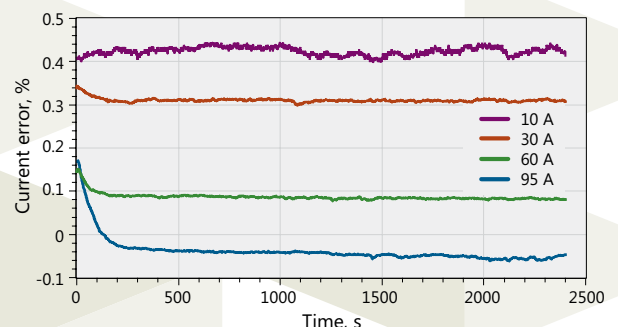
**uniLDD ripple current.**

12 V and 24 V DC power, 2 V junction + 10 MΩ series R load



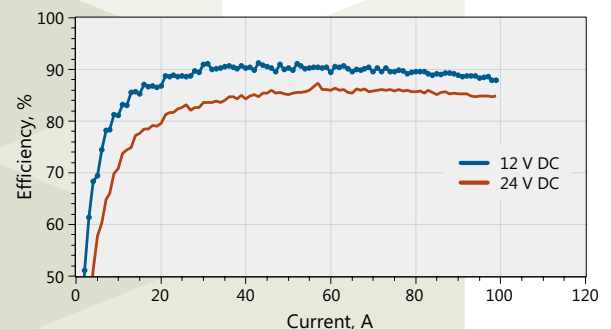
**uniLDD current error.**

12 V and 24 V DC power, 2 V junction + 10 MΩ series R load



**uniLDD current drift.**

From cold start for different currents



**uniLDD efficiency.**

12 V and 24 V DC power, 2 V junction + 10 MΩ series R load

# uniLDD General Specifications

## INPUT

Supply voltage, power stage  
**12...90 VDC**

Supply voltage, control stage  
**12...30 VDC**

## PHYSICAL CHARACTERISTICS

Assembly dimensions  
(L × W × H)

**190 × 68 × 55 mm**  
(air cooled version)

**130 × 90 × 30 mm**  
(conductively cooled version)

## PROTECTIONS

**Current transient** protection  
and shut-down

**Open circuit** shut-down

**Over temperature**  
shut-down

Power **voltage brownout**  
shut-down

**Interlock** shut-down

## OUTPUT, CW mode

Diode compliance voltage	<b>1...55 V</b>	Up to 95% of power stage supply voltage. Can be extended using voltage booster layout
Max current	<b>50 – 120 A</b>	Can be extended using parallel connection of several drivers
Current ripple	<b>0.1% pk-pk</b>	DC...100 kHz bandwidth, in ×0.5...×1 of max current range
Current drift	<b>&lt; 0.2%</b>	Cold start, 8 h period, after 5 min. warm up

## OUTPUT, OCW (Pulse mode)

Diode compliance voltage	<b>1...80 V</b>	Can be extended using voltage booster layout. Custom solutions up to 600 V available upon request
Max pulse current	<b>160 – 360 A</b>	Can be extended using parallel connection of several drivers. Custom solutions up to 1200 A available upon request
Duty cycle	<b>≤ 20%</b>	
Current pulse raise, typical range	<b>10...50 μs</b>	@ minimal connection cable inductance and sufficient power stage voltage
Max RMS current	<b>100 A</b>	80 A for diode compliance voltage >28 V
Current pulse amplitude stability	<b>0.1% pk-pk</b>	In ×0.5...×1 of max current range
Current drift	<b>&lt; 0.2%</b>	Cold start, 8 h period, after 5 min. warm up

## OUTPUT, TEC control (if equipped)

Quantity of output channels	<b>1 or 2</b>	
Maximal output current	<b>25 A</b>	
Maximal output voltage	<b>25 V</b>	

## ENVIRONMENT

Operating temperature	<b>0 to 40 °C</b>	De-rate current at higher temperature
Cooling	<b>Forced air or conductive</b>	Installed or external shared fan. Conductively cooled version available as option

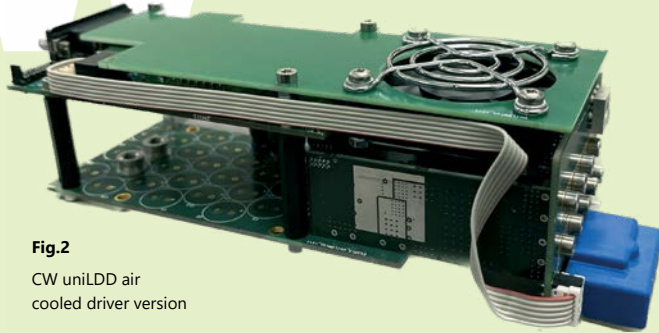
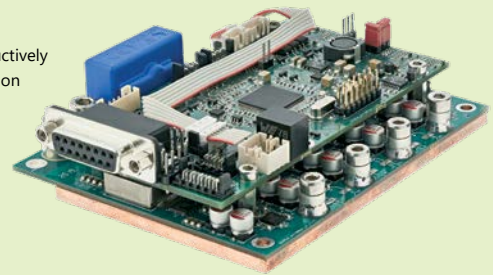
## NOTES:

Specifications are subject to change without prior notice.  
Not all combinations of parameters are possible at the same time.

# uniLDD Configuration Examples

# CW

**Fig.1**  
CW uniLDD conductively cooled driver version



**Fig.2**  
CW uniLDD air cooled driver version

## uniLDD-C-CW-30-100

Driver for CW mode operation (conductively cooled)

Maximum current to laser diode **100 A**

Maximum compliance voltage **30 V**

*Voltage extension possible by customization and current reduction.*

## uniLDD-A-CW-25-75-1TEC

Driver for CW mode operation and one stage bidirectional TEC control (air-cooled)

Maximum current to laser diode **75 A**

Maximum compliance voltage **25 V**

Maximum current to TEC **25 A**

Maximum TEC voltage **25 V**

## uniLDD-A-CW-25-100

Driver for CW mode operation (air-cooled)

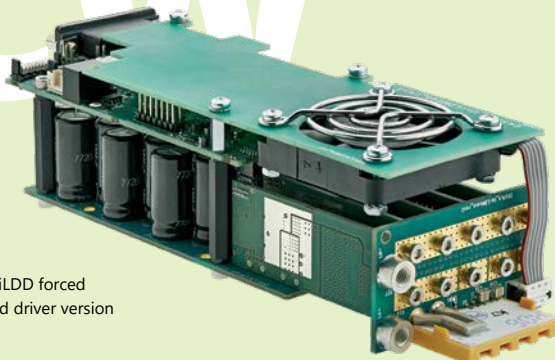
Maximum current to laser diode **100 A**

Maximum compliance voltage **25 V**

*Voltage extension possible by customization and current reduction.*

# QCW

**Fig.3**  
QCW uniLDD forced air cooled driver version



## uniLDD-A-QCW-80-360

Driver for QCW mode operation (air-cooled)

Maximum current to laser diode **360 A**

Maximum compliance voltage **80 V**

**Hardware options rated 30, 60, 100 V**

## uniLDD-A-QCW-80-270-1TEC

Driver for QCW mode operation and one channel bidirectional TEC control (air-cooled)

Maximum current to laser diode **270 A**

Maximum compliance voltage **80 V**

**Hardware options rated 30, 60, 100 V**

## uniLDD-A-QCW-80-180-2TEC

Driver for QCW mode operation and two channels bidirectional TEC control (air-cooled)

Maximum current to laser diode **180 A**

Maximum compliance voltage **80 V**

**Hardware options rated 30, 60, 100 V**



# Pockels Cell Drivers

## & HV Power Supplies

Range of drivers for Pockels cells are fast HV switches designed to load and unload capacitance of Pockels cell with several nanosecond edges.

Amplitude of output pulses to Pockels cell is about equal to HV supply voltage. Only exception is DP-FAM series drivers that allow to control the amplitude of each pulse by analog voltage input.

Design adaptation for particular OEM customer is possible and can include optimizing of mechanical design, output switch for voltage, repetition rate, rise/fall time and pulse duration lengthening etc.

Almost all the drivers can work in up to 5 MHz bursts. Range of DC/DC type HV power supplies is manufactured to provide a complete Pockels driving solution.



### Main Features

- Low and high repetition rate models covering range from single pulse to 6 MHz
- Up to 5 MHz in burst
- Square pulse shape
- Controlled by an external trigger pulse
- Fast HV switching for both rise and fall edges
- Wide range of pulse durations
- Low jitter
- For BBO, RTP, KD\*P, CdTe Pockels cells
- Designed for capacitive load

## General Specifications

DRIVER series	PCD-UHR series	PCD-UHRS series
Maximal operating voltage	≤ 9.8 kV	≤ 3.6 kV
Maximal repetition rate	6 MHz	1 MHz
Minimal HV pulse duration	100 ns	15 ns
HV pulse duration extension with no principal limit using pulse regeneration technique	YES	NO
Triggering pulse duration requirement (for two-pulses triggering mode only)	≥ 20 ns	
Triggering pulse amplitude requirement	3.5 – 5 V (50 Ω input)	
Triggering pulse rise & fall time requirement	≤ 10 ns	≤ 5 ns
Maximal length of leads to Pockels cell	10 cm	
HV pulse delay	25 ns	30 ns
HV pulse jitter	< 100 ps	

### EXTERNAL POWER REQUIREMENTS

HV supply: each model has particular recommendation

Low voltage supply: 24 VDC ±1V

# Product Range

## Driver Selection Table <sup>1)</sup>

High PRR unipolar output driver.

HV pulse duration  
100 – 5000 ns.

Ekspla Electronics p/n	Rep-rate kHz	Voltage kV	Rise / fall < ns	Power <sup>2)</sup> W
<b>PCD-UHR-50-3.6</b>	50	3.6	7	20
<b>PCD-UHR-250-2.6-(C)</b>	250	2.6	6	40
<b>PCD-UHR-250-3.6-(C)</b>	250	3.6	7	75
<b>PCD-UHR-400-1.5-(C)</b>	400	1.5	5.5	20
<b>PCD-UHR-500-2.6-(C)</b>	500	2.6	6.5	90
<b>PCD-UHR-1000-1.8-(C)</b>	1000	1.8	6	80
<b>PCD-UHR-2000-1.5-(C)</b>	2000	1.5	7	120

High PRR unipolar output short-pulse driver.

HV pulse duration  
100 – 5000 ns.

-(C) – driver can be made in any configuration – with aluminum housing or open frame

-C – driver in aluminum housing

	kHz	kV	< ns	W
<b>PCD-UHRS-50-3.6</b>	50	3.6	7	20
<b>PCD-UHRS-250-3.6-(C)</b>	250	3.6	7	75
<b>PCD-UHRS-250-2.6-(C)</b>	250	2.6	6	40
<b>PCD-UHRS-500-2.6-(C)</b>	500	2.6	6.5	90
<b>PCD-UHRS-1000-1.8-(C)</b>	1000	1.8	6	80
<b>PCD-UHRS-400-1.5-(C)</b>	400	1.5	5.5	20

High PRR Cavity Dumping bipolar output driver.

HV pulse duration  
100 – 5000 ns.

	kHz	kV	< ns	W
<b>PCD-UHR-I-250-5.2-C</b>	250	5.2	8.5	100
<b>PCD-UHR-I-300-4.6-C</b>	300	4.6	8	100
<b>PCD-UHR-I-350-4-C</b>	350	4	7.5	100
<b>PCD-UHR-I-1000-3.0-C</b>	1000	3	7.5	100

	kHz	kV	< ns	W
<b>PCD-UHR-II-150-7.0</b>	150	7	9.5	110
<b>PCD-UHR-II-250-7.0-C</b>	250	7	9.5	200
<b>PCD-UHR-II-1000-4.0-C</b>	1000	4	6	230
<b>PCD-UHR-II-1000-3.8-C</b>	1000	3.8	9.5	210

High PRR Cavity Dumping driver.

FULL BRIDGE configuration.

	kHz	kV	< ns	W
<b>2PCD-UHR-II-300-3.4</b>	300	3.4	<7	110
<b>2PCD-UHR-II-500-3.4-C</b>	500	3.4	<7	200
<b>2PCD-UHR-II-1000-2.5-C</b>	1000	2.5	<7	170
<b>2PCD-UHR-II-2000-1.8-C</b>	2000	1.8	<7	210
<b>2PCD-UHR-II-2000-1.5-C</b>	2000	1.5	<6	215

High PRR Cavity Dumping driver.

FULL BRIDGE configuration with output frequency doubling.

Encased version.

	kHz	kV	< ns	W
<b>PCD-UHR-III-2000-3.4-C</b>	2000	3.4	9.5	360
<b>PCD-UHR-III-2500-3.1-C</b>	2500	3.1	9.5	360
<b>PCD-UHR-III-3000-2.6-C</b>	3000	2.6	8.5	325

	kHz	kV	< ns	W
<b>2PCD-UHR-III-4000-1.7-C</b>	4000	1.7	10.5	360
<b>2PCD-UHR-III-6000-1.3-C</b>	6000	1.3	9	350
<b>2PCD-UHR-500-3.4-C</b>	500	3.4	7	150
<b>2PCD-UHR-1000-2.4-C</b>	1000	2.4	6.5	180
<b>2PCD-UHR-2000-1.6-C</b>	2000	1.6	6	130

High voltage Cavity Dumping driver.

HV05Wm HV power supply is included.

	kHz	kV	< ns	W
<b>PCD-UHV-4.2</b>	10	4.2	6	5
<b>PCD-UHV-5.5</b>	5	5.5	7	5
<b>PCD-UHV10-3</b>	8.6	3	10.5 / 9.5	5
<b>PCD-UHV10-2.5</b>	9.8	2.5	12 / 10.5	5

1) All specifications correspond to Pockels cell capacitance 6pF. 2) HV Power consumption, the same heat to be removed by cooling.

## Driver Selection Table <sup>1)</sup>

	Ekspla Electronics p/n	Rep-rate	Voltage	Rise / fall	Power <sup>1)</sup>
		<i>kHz</i>	<i>kV</i>	<i>&lt; ns</i>	<i>W</i>
High voltage Cavity Dumping driver with HV05Wm HV power supply included.  Encased version.	<b>PCD-UHV-C</b>	10	4.2	6	5
		5	5.5	7	5
		<i>kHz</i>	<i>kV</i>	<i>&lt; ns</i>	<i>W</i>
	<b>PCD-UHV10-C</b>	3	8.6	10.5 / 9.5	5
		2.5	9.8	12 / 10.5	5
		<i>kHz</i>	<i>kV</i>	<i>&lt; ns</i>	<i>W</i>
Fast amplitude modulation driver. Each pulse can have individual amplitude in full range 0.1 to 2.5kV according to analog input control signal.	<b>PCD-FAM-250-2.5</b>	250	2.5	26 / 13	60
	<b>PCD-FAM-500-2.5</b>	500	2.5	26 / 13	120

1) All specifications correspond to Pockels cell capacitance 6pF. 2) HV Power consumption, the same heat to be removed by cooling.

# Pockels Cell Drivers



PCD-UHR, PCD-UHRS series open frame OEM driver



PCD-UHR...C, PCD-UHRS...C series OEM driver in aluminum housing



PCD-UHR-III, 2PCD-UHR-III series driver

# HV Power Supplies

## Product Range

	Ekspla Electronics p/n	Output Power	Maximal Voltage – Standard Options
		<i>W</i>	<i>kV</i>
Encased HV Power Supply Powering 48 V; Voltage range 0 – $U_{max}$ . Auxiliary output 24 V. CAN, RS232, trimmer analog (option) control.	<b>HV-200</b>	200	1.8, 2.6, 3.6, 4.0
	<b>HV-400</b>	400	
	<b>HV-2x200</b>	2 × 200	±1.5, ±2.0, ±2.6, ±3.6
		<i>W</i>	<i>kV</i>
Encased HV Power Supply Powering 24 V. Voltage range $0.4 \times U_{max} - U_{max}$ . Trimmer and CAN control.	<b>HV-170</b>	170	1.8, 2.6, 3.6
	<b>HV-2x85</b>	2 × 85	±1.5, ±1.8
		<i>W</i>	<i>kV</i>
Open frame (PCB) HV Power Supply Powering 24 V. Voltage range $0.4 \times U_{max} - U_{max}$ . “-CAN” with CAN control, other trimmer control. <sup>1)</sup>	<b>HV05Wm</b>	5	1.8, 2.8, 4.0, 4.4, 5.0
	<b>HV05Wm-CAN <sup>1)</sup></b>		
	<b>HV40Wm</b>	40	1.3, 1.8, 2.5, 3.6, 4.0
	<b>HV40Wm-CAN <sup>1)</sup></b>		
	<b>HV80Wm</b>	80	1.8, 2.6, 3.1, 3.6, 4.0
	<b>HV80Wm-CAN <sup>1)</sup></b>		
	<b>HV120Wm</b>	120	1.8, 2.6, 3.1, 3.6
	<b>HV120Wm-CAN <sup>1)</sup></b>		
	<b>HV2x60Wm</b>	2 × 60	±1.4, ±2.0, ±2.6, ±3.6
	<b>HV2x60Wm-CAN <sup>1)</sup></b>		

1) For CAN communication at evaluation stage Ekspla's CAN-USB adapter is required.

Contact Ekspla  
for more details  
and quotation

# Laser Synchronization Modules and Pulse Delay Generators

## SY4000

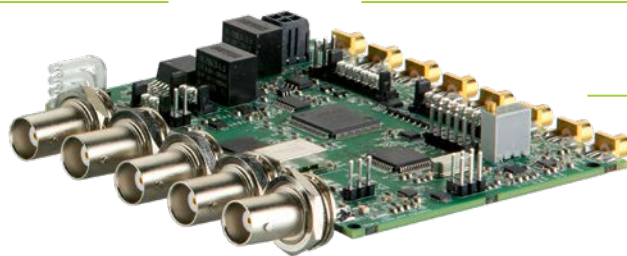
Pulse synchronization module with delay generator is designed to create up to 8 delayed output pulse sequences precisely synchronized to internal or external clock.

The SY4000 module is a timing generator dedicated to the synchronization of laser components: AOM drivers, Pockels cell drivers, laser diode and flash lamp drivers, detectors, data acquisition systems, etc.

Photo detector or electrical signal can be used as input source to be synchronized with. Generator gives possibility to create different sequences like delayed triggering, or any delayed precisely timed series. Particularly, Ekspla recommend using SY4000 to create sets of pulses to control PCD-UHR series pockels cell drivers with one, two or 4 triggering inputs.

### Encased Version

Preserves all specifications as SY4000 in additionally communication ports RS232, USB, LAN, WLAN are added. Powering from mains 90...264 V, 50–60 Hz or 12 V DC. Power consumption less than 15 W. Ideal solution for your lab and/or evaluation before switching to OEM version.



SY4000 Synchronization module and pulse delay generator encased

### SY4000 Main Features

- Compact design
- OEM (single board) and encased options
- 8 independent output channels
- Ultra-stable internal clock 0.2 ppm (optional)
- Precise delay control in range 2 ns to 150 ms
- 25 ps timing resolution
- Hi-accuracy synchronization to external pulse train
- DAC output
- Both 50  $\Omega$  and differential outputs present
- Measurement of
  - Optical clock frequency
  - Triggering frequency
  - Delay
- Frequency divider
- Frequency divider for photodetectors



# SY4000 General Specifications

PULSE GENERATION	
Channel modes	Single shot, burst, normal, duty cycle, frequency divider
Delay range	0 to 150 ms
Negative delay	-150 ms
Pulsewidth	2 ns to 150 ms
Resolution	25 ps
Accuracy	25 ps + 0.000001 × delay
Time base	100 MHz, 0.2 ppm
Jitter	< 30 ps
Burst mode	1 to 65535
EXTERNAL TRIGGER	
Rate	DC to 20 MHz
Thershold	1.3 V
Input level	LVTTTL, TTL
Slope	rising
Jitter	< 100 ps RMS
Delay	< 13 ns; < 70 ns
INTERNAL GENERATOR	
Mode	Duty cycle
Rate	50 ns to 100 sec
Resolution	10 ns; 300 ps
Accuracy	5 ns + 0.000001 × period
Jitter	100 ps RMS
Burst	0 ... 65535
OUTPUTS	
Output level	2.5 V, 4 V
Impedance	50 Ω
Slew rate	1.5 V/ns

## COMMUNICATIONS

**CAN, RS232, USB, LAN, WLAN**

## OPERATING REQUIREMENTS

Power requirements  
**12 V DC, 500 mA**

## DIMENSIONS (not including connectors)

OEM board (W × D × H)  
**100 × 77 × 20 mm**

Encased version (W × D × H)  
**105 × 86 × 85 mm**

# Temperature Controller with Oven for Nonlinear Crystals

## TK2 & KK1

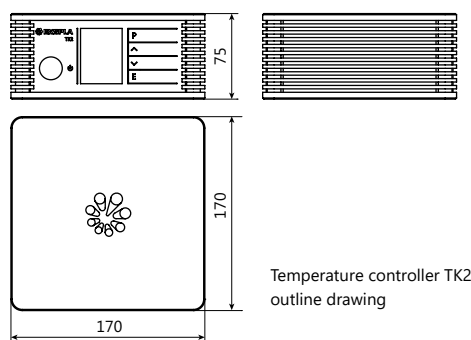
TK2 and KK1 is high temperature set (up to 200 °C) consisting of thermocontroller TK2 and crystal oven KK1.



TK2 has two independent outputs and can control two KK1-30 ovens simultaneously. Controller is equipped by LAN and USB computer control interfaces.

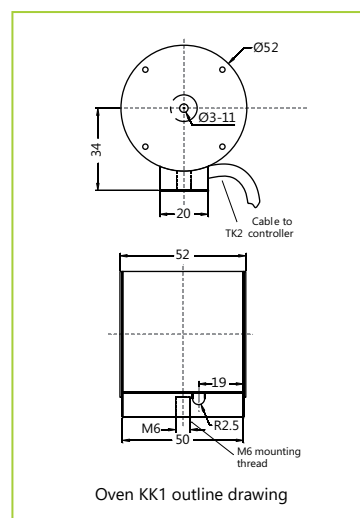
The nonlinear crystal is mounted into adapter before insertion into oven KK1. Such design facilitates handling and replacement of the crystal. The non-linear crystal can be sealed with fused silica windows in order to provide extra protection. The standard adapters are 30 and 50 mm length with apertures of 3×3, 4×4, 5×5, 6×6 mm ... 12×12 mm size. Oven is delivered with one, customer's specific size of adapter. Adapters for different sizes can be ordered separately.

Separately you can purchase adapter for KK1 mounting on tilt stage.



Temperature controller TK2 outline drawing

## Oven KK1



Oven KK1 outline drawing



Adapter H4 for KK1 mounting on tilt stage

## General Specifications

Model	TK2 + KK1-30	TK2 + KK1-50
Quantity of ovens possible to connect to one controller TK2	2	1
Temperature tuning range	RT-200 °C	
Maximum crystal dimensions	12×12×30 mm	12×12×50 mm
Temperature tuning step	0.05 °C	
Accuracy	± 0.5 °C	
Long-term stability	± 0.05 °C	
Control interfaces	LAN, USB	
Mains	90 – 264 V, 47 – 63 Hz	
Power consumption	< 50 W	
Oven dimensions, Dia×D	Ø52×52 mm	Ø52×72 mm

Specifications are subject to changes without advance notice.

# Nonlinear Crystal Oven with built-in Thermocontroller

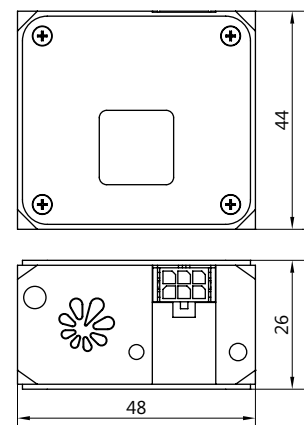
## TK8

TK8 is compact oven with built-in thermocontroller for nonlinear crystals to keep them at stabilized temperature in range 30...80 °C.

The crystals with aperture up to 15×15 mm and length up to 20 mm can be mounted. TK8L and TK8XL ovens are designed for crystal length up to 30 mm and 50 mm accordingly. Each oven is made exactly for specific crystal aperture size, so it cannot be used for different size crystals.

Crystal oven can be used in two ways. First one is autonomic operation. This case temperature is preset in advance and stored in internal controller. There is enough to connect DC power 12...24 V to keep crystal at preset temperature. LED indicator on top of oven shows that crystal temperature is reached preset value. Temperature setting can factory preset or customer can set it himself using CAN-USB converter (sold separately) and CanBrowser software. Another way of operation gives possibility change crystal temperature any time as needed using CAN interface.

On request we can manufacture ovens for crystals with aperture up to 60×60 mm or even larger.



TK8 dimensions

### MOUNT FOR CRYSTAL OVENS



Mount for fine tuning of TK8 crystal ovens angle. The tuning range is ± 2.5°.

## General Specifications

Model	TK8	TK8L	TK8XL
Maximum crystal dimensions	15×15×20 mm	15×15×30 mm	15×15×50 mm
Temperature range	30 – 80 °C		
Temperature stability	± 0.2 °C		
Power consumption	<6 W	<6 W	<9 W
Control interface	CAN		
Crystal center position above pad	16 mm		
Dimensions, W×H×D	48×44×26 mm	48×44×36 mm	48×44×56 mm

Specifications are subject to changes without advance notice.



**EKSPLA**  
**ELECTRONICS**

Advanced electronics  
technologies

## About Ekspla Electronics

Team of developers and manufacturers of specific electronic devices with cutting-edge parameters and bullet proof reliability continues operation under the new name – Ekspla Electronics.

Product's design embodies 35+ years of experience in manufacturing and R&D of serial and custom laser systems. Up to date, laser electronics created by our team of enthusiastic engineers, has been the heart and soul of 15 000+ laser systems.

99%+ of sold products perform fails-free throughout 10+ years' period under the most demanding conditions. Our exclusive area of expertise – devices for solid state pulsed lasers.

Ekspla Electronics experience includes custom adaptation and high volume manufacturing for laser developers and manufacturers.

Our clients – world-leading manufacturers of industrial, medical and scientific lasers whose systems are installed in 60+ countries and 80+ top universities worldwide.

Ekspla Electronics products are implemented in the world's most sophisticated laser systems developed for CERN, NASA, ELI, Max Planck Institutes, Cambridge University, Massachusetts Institute of Technology and other renowned scientific institutions.



[www.ekspla.com](http://www.ekspla.com)

Savanoriu Ave 237,  
LT-02300 Vilnius, Lithuania  
Tel: +370 5 264 96 29  
Fax: +370 5 264 18 09  
[sales@ekspla.com](mailto:sales@ekspla.com)

Rev# 240908