

Fixed beam expander

x0.8~x2.4

Specifications:

Wavelength	343-355; 515-532; 1030-1070 nm
Available expansions	x0.8~x2.4
Pointing stability	<1 mrad
Optical design	Galileo
Diffraction limited performance	Yes
Number of lenses	2~3
Transmittance	>99%
LIDT	>25 J/cm ² @ 1064 nm; 10ns; 100Hz >5 J/cm ² @ 532 nm; 10ns; 100Hz >2 J/cm ² @ 355 nm; 10ns; 100Hz
No internal Ghosts	Yes
No internal Ghosts in reversed use	Yes
Mounting thread	M30.5 x 0.5 at input M34 x 0.5 at exit
Clamping	Ø39 x 8~17 mm cylinder

Standard items

Expansion	Recommended max input beam Ø	Divergence adjustment range	Product ID*
0.8x -	15.5 mm	±2 mrad	FX0.8-*H
0.9x -	15.5 mm	±2.5 mrad	FX0.9-*H
1.0x -	14 mm	±3 mrad	FX1.0-*H
1.1x -	14 mm	±8 mrad	FX1.1-*H
1.2x -	13 mm	±1.5 mrad	FX1.2-*H
1.35x -	11.5 mm	±3 mrad	FX1.35-*H
1.4x -	11 mm	±1.5 mrad	FX1.4-*H
1.5x -	10 mm	±2 mrad	FX1.5-*H
1.6x -	9.5 mm	±2 mrad	FX1.6-*H
1.7x -	9 mm	±2 mrad	FX1.7-*H
2x -	8 mm	±2 mrad	FX2.0-*H
2.4x -	8 mm	±1.5 mrad	FX2.4-*H

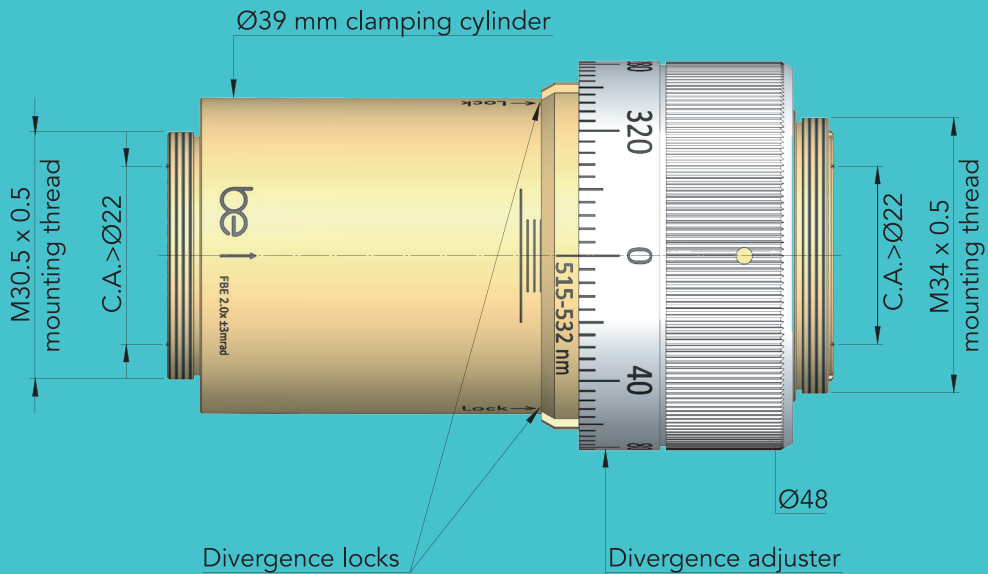
star "*" in product ID denotes harmonics 1, 2 & 3 for 1st; 2nd & 3rd harmonics respectively

Tel.: +3706 851 9989
E-mail: info@beamera.eu
Web: www.beamera.eu

Beamera, UAB
Sauletekio al. 15a-218
Vilnius, Lithuania

Notes

- Max beam diameter ($1/e^2$) meeting diffraction limited operation
- Input & Output clear aperture $> \text{Ø}22$ mm
- Lockable lens positions
- Sensitive collimation adjustment
- Custom wavelengths available
- High purity fused silica lenses



Tel.: +3706 851 9989
E-mail: info@beamera.eu
Web: www.beamera.eu

Beamera, UAB
Sauletekio al. 15a-218
Vilnius, Lithuania