

High Power
zoom beam reducer

x0.6-x0.8

Specifications:

Wavelength	343; 355; 515; 532; 1030; 1064; 1070 nm
Beam reduction range	0.6x - 0.8x
Pointing stability	<1 mrad
Optical design	Gallileo
Diffraction limited performance	Yes
Number of lenses	3
Total glass thickness	6.8 mm
Transmittance	>99%
LIDT	>25 J/cm ² @ 1064 nm, 10 ns, 100 Hz >5 J/cm ² @ 532 nm, 10 ns, 100 Hz >2 J/cm ² @ 355 nm, 10 ns, 100 Hz
No internal Ghosts	Yes
No internal Ghosts in reversed use	Yes
Mounting thread	M34 x 0.5 on exit end
Clamping	Ø37.5 x 17 mm cylinder

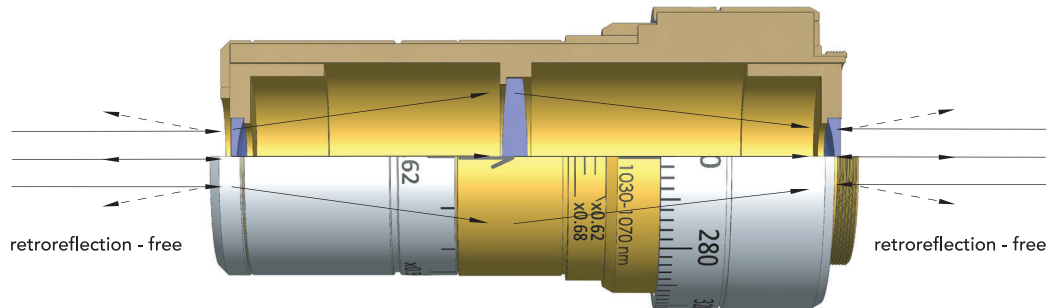
Max recommended input beam Ø

343-355 nm	515-532 nm	1030-1070 nm
3 mm	3.5 mm	4 mm

Notes

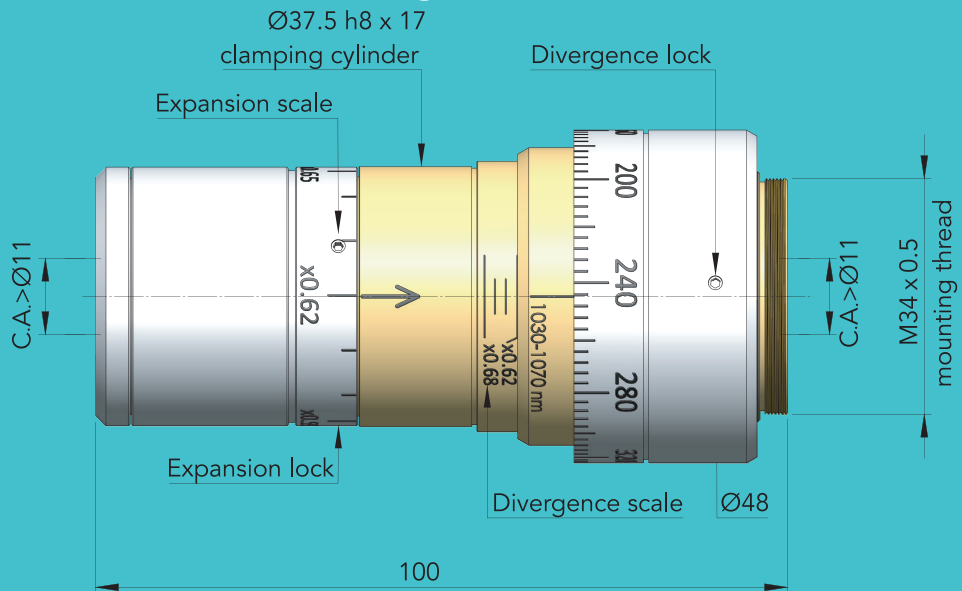
- Max beam diameter (1/e²) meeting diffraction limited operation
- Extra collimation adjustment range for highly diverging beams
- Lockable lens positions
- IBS coated quartz lenses for maximum performance and longevity
- Sensitive collimation adjustment
- Laser should be turned off while zooming
- Compatible with sub 50 fs pulses

External retro reflections



Retroreflections in regular (beam reduction) mode - none

Retroreflections in reverse (beam expansion) mode - none



Tel.: +3706 851 9989
E-mail: info@beamera.eu
Web: www.beamera.eu

Beamera, UAB
Saulėtekio al. 15a-218
Vilnius, Lithuania